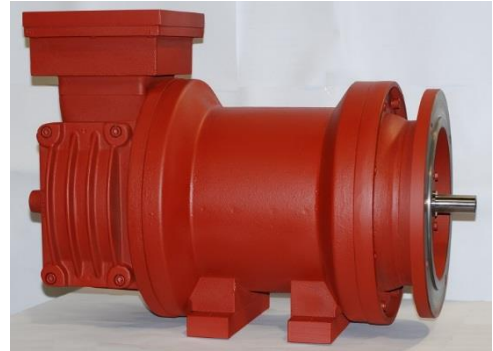


Explosion-proof DC motors Frame: E225 ATEX & IECEx Certified: I M2 Ex db I Mb II 2 G Ex db IIB T4 Gb Temperature amb. -40°C to +60°C



Application

STS explosion proof motors are designed for use where flammable or explosive substances (such as gas vapours or mist) are processed, handled or stored and where during normal operations an explosive or flammable concentration is likely to occur in sufficient quantity to produce a hazard.

The E225 is an explosion proof wound field motor in a 225 frame available in a range of outputs and duty cycles.

Certification

These designs are certified for both gas and mining groups to the ATEX directive 2014/34/EU in compliance with EN60079-0:2018 & EN60079-1:2014 and IECEx in compliance with IEC60079-0:2017 & IEC60079-1:2014.

Insulation Class

Motors are wound with Class H insulation, class F or H rise.

Supply range

110-130V (battery or pure D.C.)

Rating and performance

All motors within this range are assigned ratings in line with the requirements of EN60034-1:2010.

Typical ratings for 1500 RPM motors

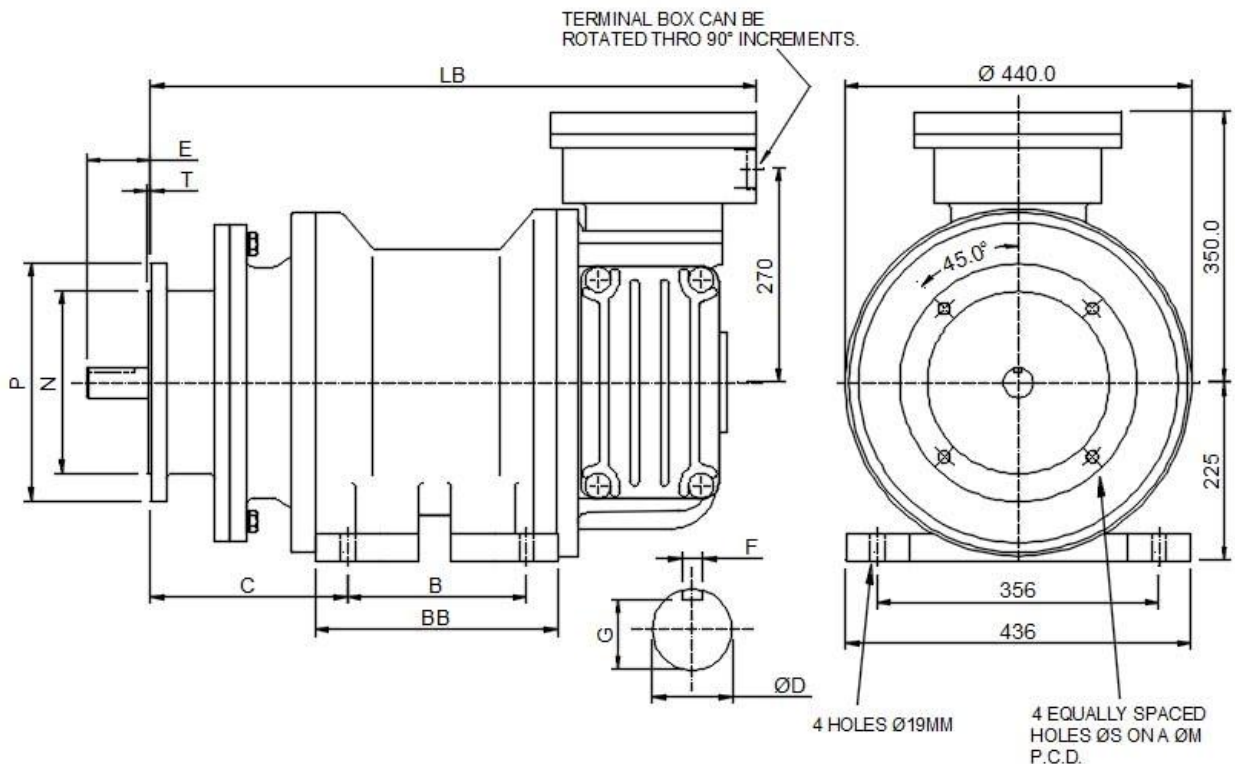
Frame	Voltage	Output	Duty
E225S-120	110-130	4.5kW	S2 60 mins
E225S-160	110-130	6.5kW	S2 60 mins
E225S-160	110-130	4.5kW	S1 (MCR)
E225L-220	110-130	5.5kW	S1 (MCR)
E225L-250	110-130	7.5kW	S2 60 mins

Mounting arrangements

Motors are available foot and/or B5 (D type) flange or B14 (C type) face mountings with metric dimensions to IEC72-1. Non-standard mountings are also available. See reverse for dimensions

Other machines manufactured by STS

ATEX certified DC motors 0.25-10kW
Safe area DC motors 0.25 . 150kW
DC generators and dynamometers



Flange details

Flange size	M	N	P	S	T	C
FF265 (D132)	265	230	300	15	3.5	299
FF300 (D160)	300	250	350	19	3.5	235
FF350 (D200)	350	300	400	19	3.5	199

Overall dimensions

Frame reference	Flange size	LB	B	BB
E225S	FF265 (D132)	766	121	201
E225S	FF300 (D160)	702	121	201
E225S	FF350 (D200)	666	121	201
E225L	FF265 (D132)	830	181	261
E225L	FF300 (D160)	766	181	261
E225L	FF350 (D200)	730	181	261

Shaft details

D	E	F	G
38	80	10	33
42	110	12	37

The above dimensions are standard, other sizes are available